

为您的产品保驾护航

PRODUCT DATASHEET

Gas Discharge Tubes

JTS4532D



Description

Gas discharge tubes (GDT) use noble gasses enclosed in ceramic tubes to provide an alternate circuit path for voltage spikes. The ceramic envelope and with nickel connectors allow for high loads and Ruilon offers products that function at 20KA, 40KA, 50KA, 60KA, 100KA & 150KA. The breakdown voltages of the devices have a wide range (up to 20% tolerance). Major applications are high frequency telecommunication lines, stations, security systems, HID and high quality Surge Protection Devices (SPD).

Features

- RoHS & HF compliant
- Size: 4.5mm*3.2mm
- DC Spark-over voltage: 75~600V
- Stable breakdown voltage.
- High insulation resistance.
- High holdover voltage.
- Large absorbing transient current capability.
- Low Capacitance
- Micro-Gap Design

Applications

- Communication equipment
- CATV equipment
- Test equipment
- Data lines
- Power supplies
- Telecom SLIC protection
- Telecommunications

Product Identification

JT S 4532-075 D

D = Surge Rating

Blank=0.5kA, B=2kA, D=3kA,
G=5kA, H=10kA, K=20kA,

M=40kA, P=60kA **075 = DC**

Spark-over Voltage 75V

4532 = Device Dimensions:

Length/width (Unit: 1/100 inch) Size
4532 mm / 1812 inch

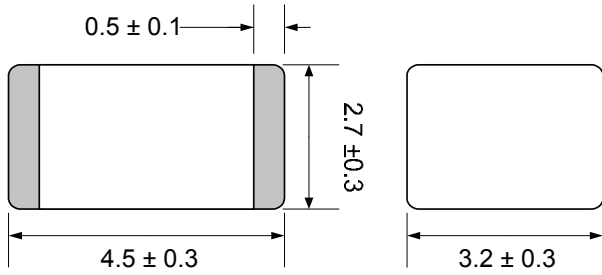
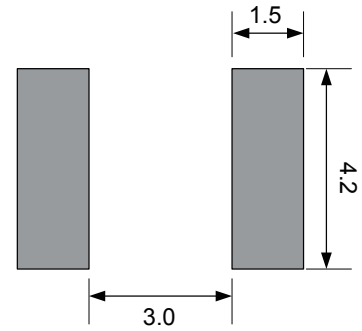
S = Lead Configuration

A=Axial Leads
N=No Leads
S=Surface Mount
T=T-shaped Leads

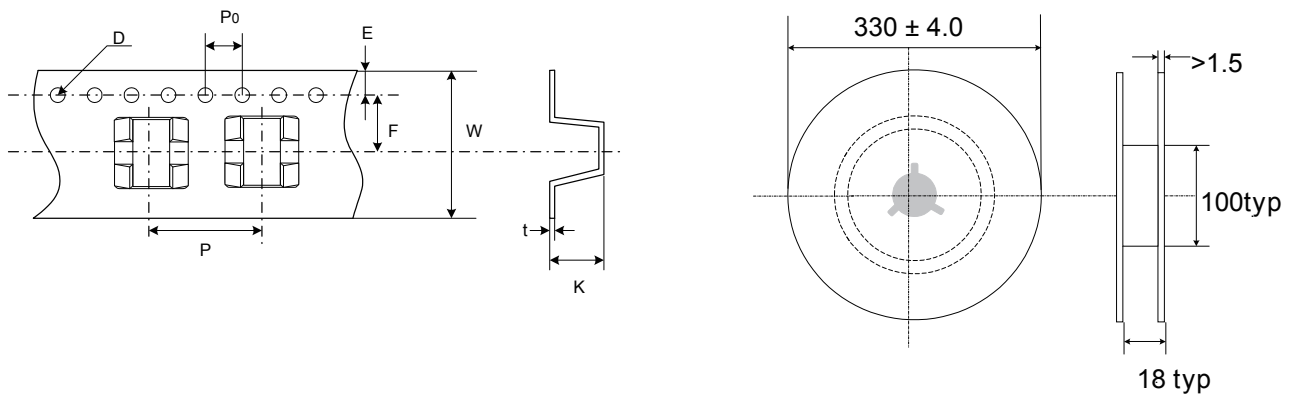
JT = JDT Gas Discharge Tube

Performance Specification

Part Number	DC Spark-over Voltage	Maximum Impulse Breakdown Voltage	Impulse Withstanding Voltage Capacity	Impulse Life	Normal Alternating Discharge Current	DC Holdover Voltage
	100V/S	8/20 μ s		8/20 μ s, 100A	@DC 100V	1MHz
	(V)	(A)		Times	(G Ω)	(pF)
JTS4532-070D	70 (50~90)	3KA (Positive/Negative10 Times)	10/700us 6kV(Positive/Negative10 Times)	300	Min. 100	0.5
JTS4532-075D	75 (55~95)	3KA (Positive/Negative10 Times)	10/700us 6kV(Positive/Negative10 Times)	300	Min. 100	0.5
JTS4532-090D	90 (63~117)	3KA (Positive/Negative10 Times)	10/700us 6kV(Positive/Negative10 Times)	300	Min. 100	0.5
JTS4532-120D	120 (84~156)	3KA (Positive/Negative10 Times)	10/700us 6kV(Positive/Negative10 Times)	300	Min. 100	0.5
JTS4532-150D	150 (105~195)	3KA (Positive/Negative10 Times)	10/700us 6kV(Positive/Negative10 Times)	300	Min. 100	0.5
JTS4532-200D	200 (140~260)	3KA (Positive/Negative10 Times)	10/700us 6kV(Positive/Negative10 Times)	300	Min. 100	0.5
JTS4532-230D	230 (161~299)	3KA (Positive/Negative10 Times)	10/700us 6kV(Positive/Negative10 Times)	300	Min. 100	0.5
JTS4532-300D	300 (210~390)	3KA (Positive/Negative10 Times)	10/700us 6kV(Positive/Negative10 Times)	300	Min. 100	0.5
JTS4532-350D	350 (245~455)	3KA (Positive/Negative10 Times)	10/700us 6kV(Positive/Negative10 Times)	300	Min. 100	0.5
JTS4532-400D	400 (280~520)	3KA (Positive/Negative10 Times)	10/700us 6kV(Positive/Negative10 Times)	300	Min. 100	0.5
JTS4532-420D	420 (294~546)	3KA (Positive/Negative10 Times)	10/700us 6kV(Positive/Negative10 Times)	300	Min. 100	0.5
JTS4532-470D	470 (329~611)	3KA (Positive/Negative10 Times)	10/700us 6kV(Positive/Negative10 Times)	300	Min. 100	0.5
JTS4532-500D	500 (350~650)	3KA (Positive/Negative10 Times)	10/700us 6kV(Positive/Negative10 Times)	300	Min. 100	0.5
JTS4532-600D	600 (420~780)	3KA (Positive/Negative10 Times)	10/700us 6kV(Positive/Negative10 Times)	300	Min.100	0.5

Product size (Unit:mm)
Dimension

Recommended Pad Size

Packaging Taping

Unit:mm



Item	P	PO	W	F	E	D	K	t
Spec.	8.0	4.0	12.0	5.45	1.75	Φ1.55	3.1	0.4
Tolerance	±0.1	±0.1	±0.13	±0.1	±0.1	±0.05	±0.1	±0.05