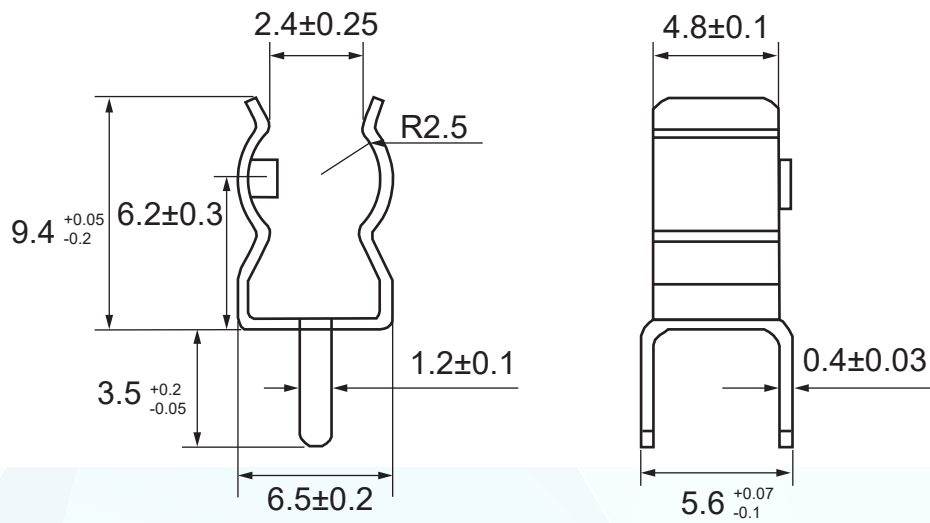
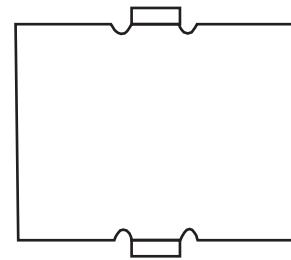
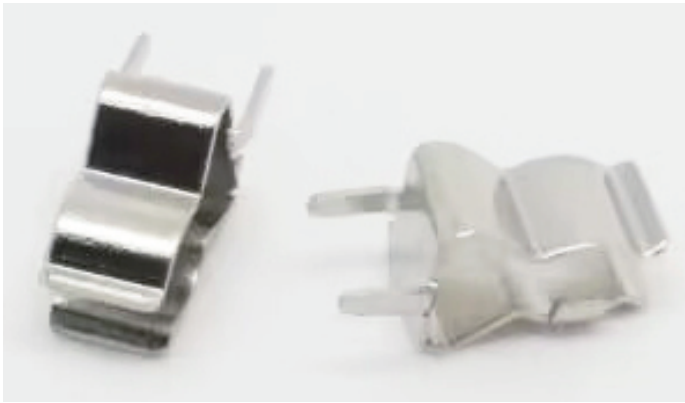


规格 JFH-502-2

文件号 A-2023-JFH-502-2

版本1

Shape and Size (mm)



Model	For Fuse	Material	Qty
JFH-502-2	5*20mm	H65 Cu ,Hard Material	1000 pcs/bag

Surface treatment: nickel plating

No burrs/dots/scratches/deformations around the edges