

规格 J0PTF0075P 绿色座

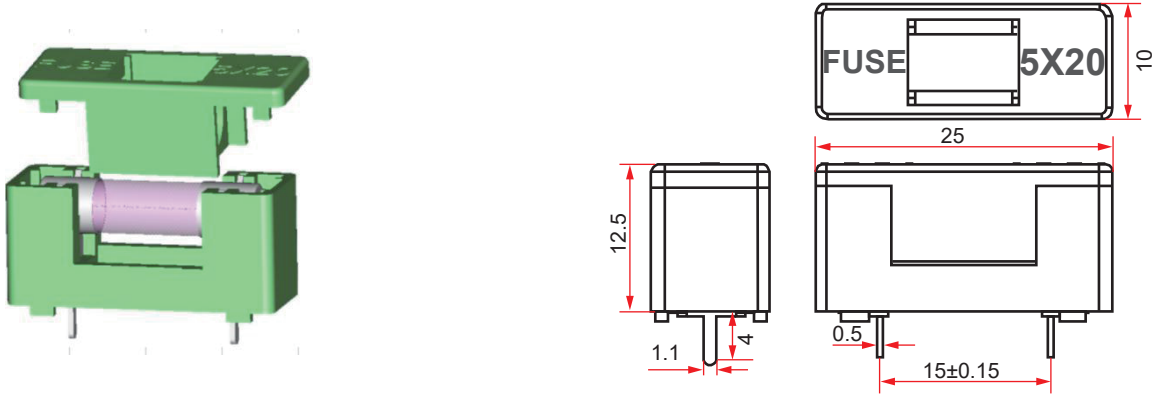
文件号 A-2023-J0PTF0075P

版本1

Description

J0PTF0075P green shell is 5*20 Fuse holder, 6.3A Rate Current, 250vac Maximum Voltage, Suitable for PCB circuit protection.

Shape and Size (mm)



Structure	Material	Marked
Shell	Nylon PA66	UL 94 V0
Pin	H62 nickel plating	-

Electrical Performance

Model	For Fuse	Rated Ampere	Rated Voltage	Operating Power	Insulation Resistance	Di-electronic Strength
J0PTF0075P	5*20mm	6.3A	250V	1.6W	>100MΩ	>300Vac/60'

Package and Assembly

Model	Qty	Assembly
J0PTF0075P	1000Pcs/Bag	The wind furnace, welding